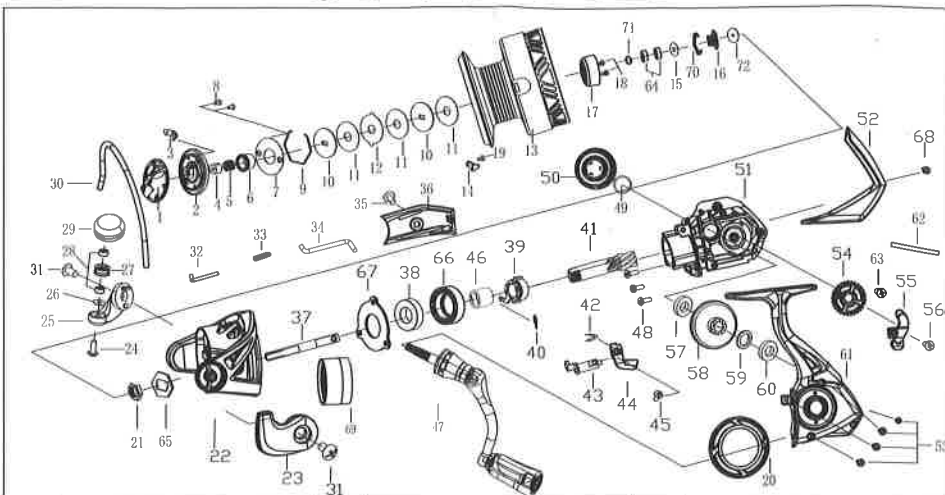


SEAHAWK® CARBON PRO PART LIST



NO	PARTS NAME	NO	PARTS NAME	NO	PARTS NAME
1	DRAG KONB CAP	25	ARM LEVER	49	HANDLE WASHER
2	DRAG KONB	26	LINE ROLLER W/S	50	HANDLE CAP
3	DRAG CLICK CLAW	27	LINE ROLLER	51	BODY
4	DRAG NUT	28	LINE ROLLER BGARING	52	BODY CAP
5	DRAG SRING	29	LINE SLIDER	53	BODY COVER S/C "A"
6	DRAG BUSHING	30	BAIL ARM	54	DRIVE GEAR
7	DRAG PLATE	31	ARM LEVER S/C	55	SLIDER
8	DRAG SCREW	32	ARM LEVER SHAFT	56	SLIDER SCREW
9	SPOOL RING	33	ARM LEVER SPRING	57	BODY BEARING
10	SPOOL "D" W/S	34	KICK LEVER	58	DRIVE GEAR
11	SPOOL W/S	35	ROTOR COVER S/C	59	DRIVE GEAR W/S
12	SPOOL "A" W/S	36	ARM LEVER COVER	60	BODY COVER BEARING
13	SPOOL	37	MAIN SHAFT	61	BODY COVER
14	LINE CLIP	38	PINION BEARING "A"	62	SLIDER AXLE PIN
15	MAIN SHAFT W/S	39	ONE WAY	63	DRIVE GEAR SCREW
16	BAFFLE COIL BEARING	40	ONE WAY SPRING	64	BEARING
17	TICK GEAR SEAT	41	PINION	65	ROTOR W/S
18	SPOOL CLICK CLAW S/C	42	STOPPER LEVER S/P	66	PINION BEARING SHEATH
19	LINE CLIP S/C	43	STOPPER LEVER SHAFT	67	PINION BEARING ROTOR W/S
20	SUBJECT PATCH	44	STOPPER LEVER	68	BODY CAP S/C
21	ROTOR NUT	45	STOPPER LEVER S/C	69	TICK SPRING
22	ROTOR	46	ONE WAY BUSHING	70	STRETCH SPRING
23	BAIL HOLDER	47	HANDLE ASSY	71	RUBBER RING
24	BAIL SCREW	48	PINION SCREW	72	SPACER

Please note that the number of adjusting washers may not be the same as shown in the exploded views. (Adjustment will vary with each individual product.)